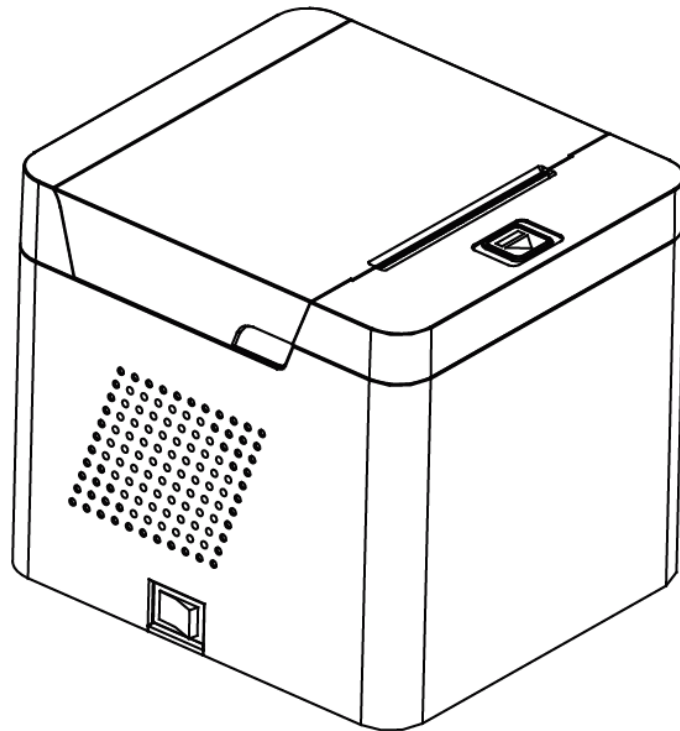


---

**POS58C2 DESKTOP THERMAL PRINTER**

# **User Manual**

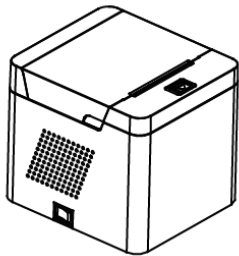


---

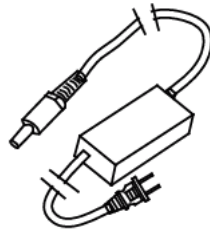
## Attentions

- (1) The printer should be installed in a stable place to avoid vibration and impact.
- (2) Do not use and store printer in places with high temperature, high humidity or heavy pollution.
- (3) Connect the printer's power supply to an appropriate ground socket. Avoid using the same socket as large motors or other devices that can cause voltage fluctuations in the power supply.
- (4) Avoid water or conductive material (such as metal) entering the printer and turn off the power immediately if this happens.
- (5) Keep the printer printing from without paper or else it will damage to the printer head and the rubber roller.
- (6) Please cut off the power supply if you will not use this printer for long time.
- (7) The user shall not dismantle the printer for maintenance or modification without authorization.
- (8) The power cord shall only be supplied with a randomly assigned power cord.
- (9) In order to ensure the quality of printing and product life, it is recommended to use high-quality printing paper.
- (10) When unplugging and connecting the power cord, make sure the printer power is turned off.
- (11) The power cord plug acts as a power disconnect device and its socket is located near the device and is easily accessible.
- (12) This product is only suitable for use in tropical climate at an altitude of 5000 meters and below.

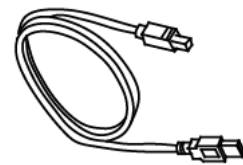
## Accessories



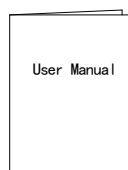
Printer



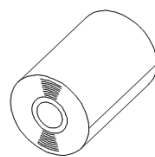
Adapter



USB cable

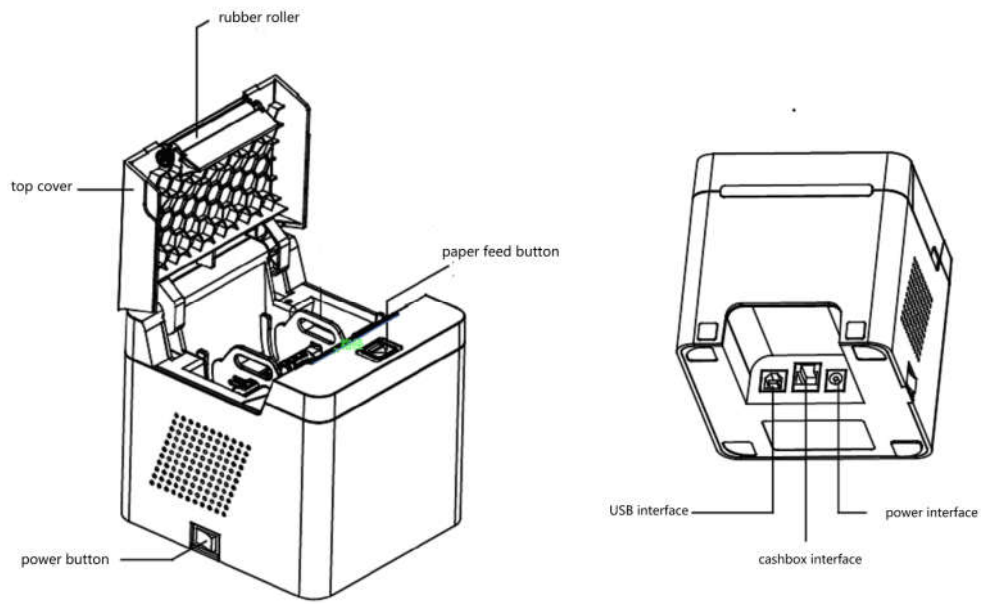


User Manual

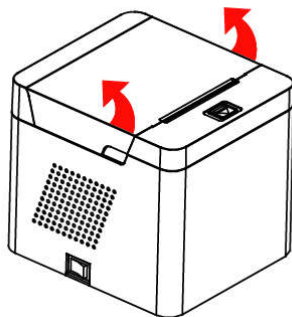


Paper roller

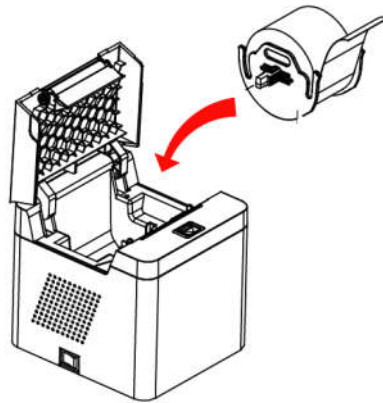
## Operation Instruction



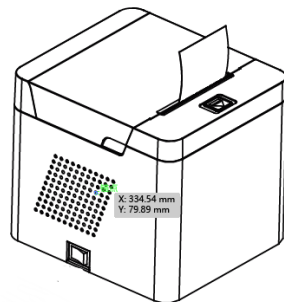
## Paper installation



Hold tight of the printer and using 2 fingers to open the cover



Put into the paper roller



Pull the paper little out

## Main Features

- \*100mm/s high printing speed,
- \*support cashbox driving,
- \*small and exquisite, attractive appearance,
- \*rational construction, easily use and maintenance,
- \*with Bluetooth and USB communication ports for optional,
- \* Built-in data buffer (can receive printed data when printing),
- \*Characters can be enlarged, bold, underline printing, can adjust the character line spacing and left and right spacing printing,
- \*Support different density bitmap and download graphics printing,
- \*Low power consumption and low operating cost,
- \*Compatible with ESC/POS printing instruction set,
- \*Support printer authentication, computer software binding, drive high-speed printing mode,
- \*Support for multiple international language libraries

## Technical parameters:

<b>Printing method</b>	Direct line thermal	<b>Interface type</b>	BT+USB
<b>Printing speed</b>	100mm/s	<b>Reliability</b>	50KM(continuespaper mode )
<b>Paper width</b>	58mm	<b>Printer input voltage</b>	D C 9V/1.5A
<b>Printing density</b>	384dot/line	<b>Cashbox control</b>	D C 9V/1.5A

## LED Indicator and Buzzer Definition

Printer Status	BT Status	Green (BT)	Red (Error)	Buzzer	Mark
<b>Power on</b>	Initialization failure	Fast Blink		Once	
<b>Stand by</b>	Disconnect	Blink			
	Connected	On			
<b>Top Cover Open</b>	Disconnect	Blink	Blink	Once in every 2 seconds	Red light blink slowly
	Connected	On			
<b>Paper Out</b>	Disconnect	Blink	On	Three times in every 2 seconds	
	Connected	On			
<b>Low power</b>	Disconnect	Blink	Blink	Twice short and once long	Red light blink slowly
	Connected	On			
<b>High Temp.</b>	Disconnect	Blink	Blink		Red light bnk fast
	Connected	On			
<b>Revise</b>		Blink	On		twinkle alternately
<b>FW upgrade</b>		On	FW upgrading Power can not disconnect		

---

## Printer driver

There are totally 3 methods to drive this POS58 desktop printer, one is to install driver under WINDOWS, another one is to use port to drive, the last one is to use APP connected bluetooth to drive.

### (1) Install driver under WINDOWS

Add the printer to WINDOWS and specify the driver file in the drive disk to WINDOWS. Simply call the driver in the program and start printing. In this way, it is the WINDOWS printer program that converts the characters into a graphical bitmap for printing

### (2) Port directly to drive

In this way, do not need to use a driver, just need to output the character directly to the port, and by the printer internal hard font to achieve the character conversion printing, using port to drive makes the printer more easily for control. If you use port direct drive mode, you need to use the print command set to control the printer's printing. The ESC/POS command set has been integrated into the printer.

### (3) The APP Bluetooth connection driver connects the printer directly with the mobile phone APP Bluetooth, and the APP can edit the content, send and print.

## Printer clearance

You shall clear the printer head once any of the following situations appear:

(1) Printing not clear; (2) Anywhere of the vertical column not clear (3) Paper feed noisy

How to clear the printer head:

- (1) Power off the printer and open the cover, remove the paper roll,
- (2) you need to wait for the printer head to be cool down if there is any printing just finished,
- (3) Using a soft cotton cloth dipped in anhydrous ethanol (should be wring out) to wipe off the dust and stains on the thermal printer head, after the anhydrous ethanol completely volatilizes, close the cover to print again.

NOTE:

- (1) Please power off the printer when you do any daily maintenance,
- (2) Do not touch the printer head by hand or other metals, do not use tweezers to scratch the printer head, the rubber rollers and the sensor surface, do not use organic solvents such as gasoline and acetone.